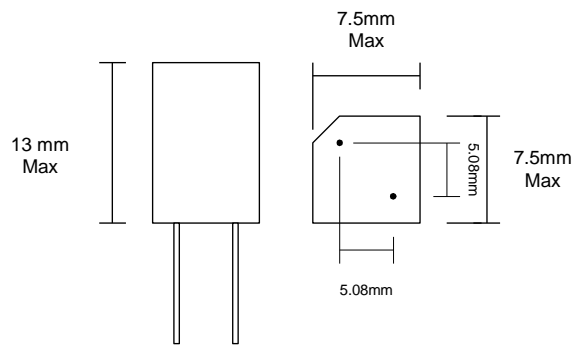


**EXFS/HR - POLYSTYRENE**

These capacitors are particularly suitable for telephone equipment where low loss, excellent stability and high reliability are required.

The 'high - rise' shape facilitates high packing density.

They consist of extended foil polystyrene capacitors sealed into a case with epoxy resin.



<b>SPECIFICATION</b>	
Capacitance Range	47pf - 8,200pf
Capacitance Tolerance	±1%, ± 2%, ± 5% (or 1.5pF whichever is the greater)
Voltage (DC working)	63VDC
Insulation Resistance (at 23°C)	> 500,000 MΩ
Loss Factor (1KHz)	0.0003
Temperature Coefficient	-110 ± 60 p.p.m./°C
Climatic Category	40/70/56

<b>Dimensions:</b>	
A	7.5mm
C	5.08mm
H	13mm max including stand offs

<b>Terminations:</b>	
Wire Diameter (mm)	Length (mm)
0.6mm dia	4 ± 1mm long

Considerable detailed data is available on specific components, for example :-

Loss factor at 120Hz, 1000Hz, 10Khz, 100Khz and 1MHz

Self resonant frequencies.

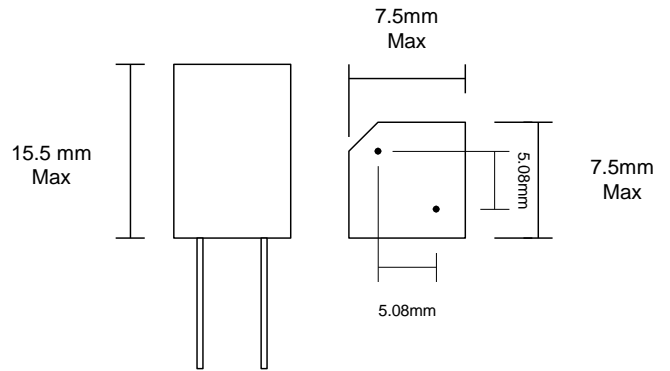
The capacitance range can be extended up to 120,000pf with polypropylene dielectric (See MKP/HR data sheet)

**EXFS/HR - POLYSTYRENE**

These capacitors are particularly suitable for telephone equipment where low loss, excellent stability and high reliability are required.

The 'high - rise' shape facilitates high packing density.

They are polystyrene film capacitors with tin electrodes sealed in a polypropylene case.



<b>SPECIFICATION</b>	
Capacitance Range	8N21 - 15 nF
Capacitance Tolerance	±1%, ± 2%, ± 5%
Voltage (DC working)	63VDC
Insulation Resistance (at 23°C)	> 50.000 MΩ
Loss Factor (1KHz)	0.0005
Temperature Coefficient	-110 ± 60 p.p.m./°C
Climatic Category	40/070/56

<b>Dimensions:</b>	
A	7.5mm
C	5.08mm
H	15.5mm

<b>Terminations:</b>	
Wire Diameter (mm)	Length (mm)
0.6mm dia	4 ± 1 mm long

Considerable detailed data is available on specific components, for example :-

Loss factor at 120Hz, 1000Hz, 10Khz, 100Khz and 1MHz

Self resonant frequencies.