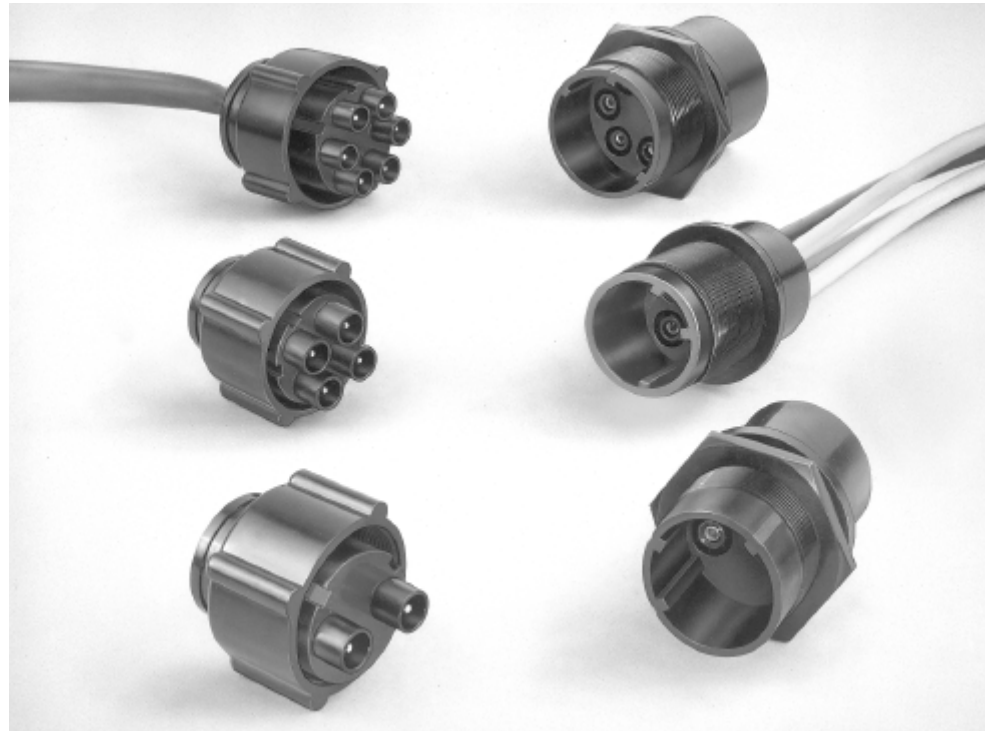


Multi-Pin Circular Commercial Connectors, 27 KVDC

Product Facts

- Housing made of UL recognized, 94V-0 rated, self-extinguishing polyester materials
- Standard housing color is black — other colors available
- Operating and storage temperature range: -55°C to +125°C [-67°F to +257°F]
- Operates up to 27 KVDC
- Will withstand a 35 KVDC hipot test
- Safe handling of high-voltage — no exposed contacts
- Lightweight, compact design
- Threaded coupling provides positive, quick connect/disconnect
- Resilient silicone rubber “O” rings provide positive sealing for mated connectors
- Can be panel or bulkhead mounted or used in free-hanging applications
- Size 16 gold-plated contacts with 13 ampere rating accommodate wide range of wire sizes — 24-20 AWG and 18-16-14 AWG — may be hand tool or machine crimped or soldered
- Two shell sizes available: smaller size offers 2-, 3- and 4-contact configurations; larger diameter shell contains 6 or 7 contacts



AMP Multi-Pin Circular Connectors provide reliable, safe, low cost means of connecting high voltages in critical applications and environments. They are lightweight, extremely compact and can be operated within a temperature range of -67°F to 257°F [-55°C to +125°C] and to 27 KVDC.

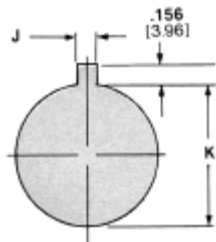
Circular multi-pin high voltage connectors are available in two basic shell sizes offering 2-, 3-, 4-, 6- and 7-

contact configurations. All are equipped with threaded couplings for positive, quick connect/disconnect capability and can be panel or bulkhead mounted or used as free-hanging connectors. They incorporate many outstanding design features to assure their complete electrical, mechanical and environmental integrity.

To satisfy customer requirements, the connectors are supplied pre-assembled

(with attached leads) or in kit form. Each kit includes a plug, receptacle and an appropriate number of pins and sockets that can be hand tool or machine crimped or soldered to wire. Pre-assembled connectors can be furnished with leads of virtually any length and color. All are fully potted and tested so that they are of high quality and meet performance specifications.

Multi-Pin Circular Commercial Connectors, 27 KVDC (Continued)



Recommended Panel Cutout for Bulkhead Mounting

Mounting Nut — maximum torque is 20 in.-lb. [225 Nm].

Material

- Housing, Cap Nut and Strain Relief** — Glass-reinforced polyester
- O-Ring** — Silicone rubber
- Contacts** — Type II, gold plated per MIL-G-45204
- Instruction Sheet** — IS 408-9169

Hand Tools

- 24-20 AWG [0.2-0.6 mm²]** — Part Number 58305-1
- 18-16 AWG [0.8-1.4 mm²]** — Part Number 45098
- 14 AWG [2 mm²]** — Part Number 45098

Extraction Tool

Part Number 861751-1

Component Parts

- Pin (loose piece)** — 24-20 AWG [0.2-0.6 mm²] Part Number 200679-1
- 18-16 AWG [0.8-1.4 mm²] Part Number 200681-1
- 14 AWG [2 mm²] Part Number 201645-1

Socket (loose piece) —

- 24-20 AWG [0.2-0.6 mm²] Part Number 201328-1
- 18-16 AWG [0.8-1.4 mm²] Part Number 200333-1
- 14 AWG [2 mm²] Part Number 201568-1
- O-ring (package of 50) Part Number 862798-1

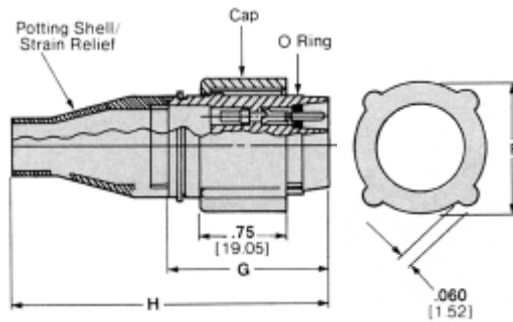
Potting shell/strain relief (2, 3 and 4 contact plugs) — Part Number 862544-1

Potting shell/strain relief (6 and 7 contact plugs) — Part Number 862695-1

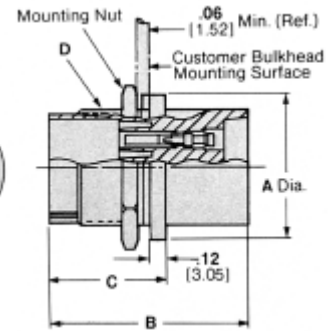
Potting shell (short, for 6 and 7 contact plugs, 1.125 [28.58] long) — Part Number 863995-1

TEFLON is a trademark of E. I. DuPont de Nemours and Company.

Plug



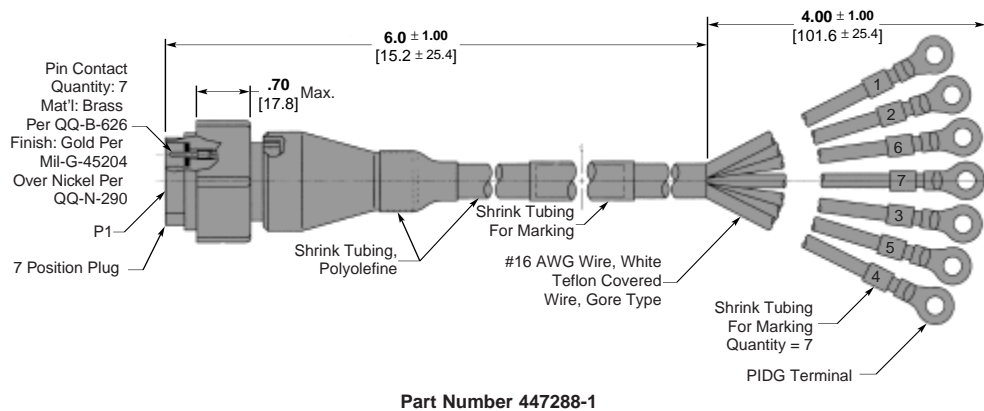
Receptacle



Dimensions

Contacts	A	B	C	D	E	F	G	H	J	K
2, 3, 4	1.25 31.75	1.75 44.45	1.00 25.4	1 (28 UN) 25.4	.125 3.18	1.31 33.27	1.38 35.05	2.00 50.8	1.56 3.96	1.015-1.031 25.78-26.19
6, 7	1.50 38.1	2.00 50.8	1.06 26.92	1.25 (20 UN) 31.75	.190 4.85	1.56 39.62	1.48 37.59	3.30 83.82	.203 5.16	1.260-1.270 32.00-32.26

Cable Assembly, 7 Pos. Plug



Part Number 447288-1

Note: 4-Pos. Receptacle Housing Dim. (Typ.)—1.75 [44.45] L x 1.25 [31.75] Dia.

Number of Contacts	Wire Range		Receptacle Kit (with sockets)	Plug Kit (with pins)	Plug (with Strain Relief) and Receptacle Kit
	AWG	mm ²			
2	24-20	0.2-0.6	859529-4	860261-4	863015-1
	18-16	0.8-1.4	859529-5	860261-5	863015-2
3	14*	2	859529-6	860261-6	863015-3
	24-20	0.2-0.6	859528-4	860263-4	863016-1
	18-16	0.8-1.4	859528-5	860263-5	863016-2
4	14*	2	859528-6	860263-6	863016-3
	24-20	0.2-0.6	859526-4	860265-4	863017-1
	18-16	0.8-1.4	859526-5	860265-5	863017-2
6	14*	2	859526-6	860265-6	863017-3
	24-20	0.2-0.6	859527-4	860267-4	863018-1
	18-16	0.8-1.4	859527-5	860267-5	863018-2
7	14*	2	859527-6	860267-6	863018-3
	24-20	0.2-0.6	861647-7	861648-7	863019-1
	18-16	0.8-1.4	861647-8	861648-8	863019-2
	14*	2	861647-9	861648-9	863019-3

Note: Contacts are packaged separately within the connector kit for shipment. Connectors are available with leads attached.

*Use Type II, Size 16 contacts, with a wire barrel sized to accept 14 AWG conductor.