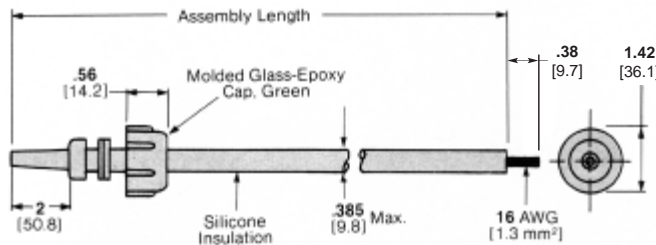


LGH Lead Assemblies and Receptacles, 50 KVDC, LGH 4

Single End Lead Assemblies

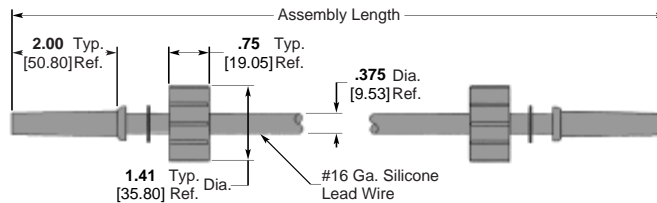


Part Number 846290

Assembly Length	Part Number
6.0 152.4	1-846290-7
12.0 304.8	846290-1 5-846290-1*
18.0 457.2	1-846290-6 6-846290-6*
24.0 609.6	846290-3 5-846290-3*
36.0 914.4	846290-6 5-846290-6*
48.0 1219.2	846290-4 5-846290-4*

*RoHS compliant Part Number.

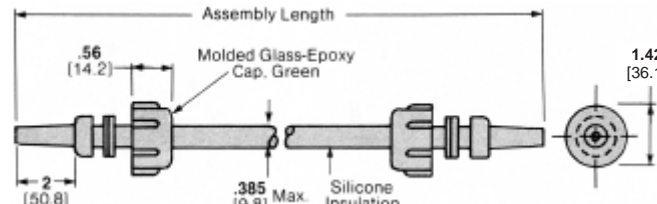
Double End Lead Assemblies (White Wire)



Part Number 445217

Assembly Length	Part Number
18.0 ± .12 457.2 ± 3.05	445217-2
24.0 ± .24 609.6 ± 6.10	445217-1

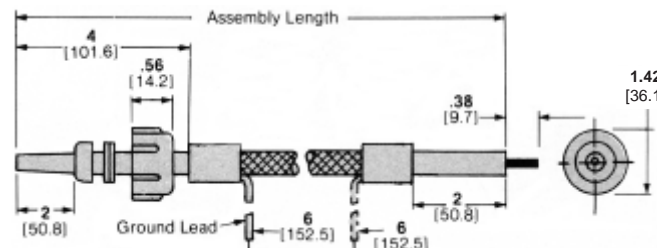
Double End Lead Assemblies



Part Number 846291

Assembly Length	Part Number
12.0 304.8	846291-1
18.0 457.2	1-846291-1
24.0 609.6	846291-3
36.0 914.4	846291-4

Shielded Single End Lead Assemblies



Part Number 848078

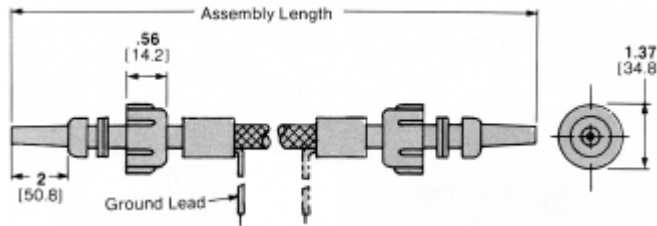
Assembly Length	Part Number
24.0 609.6	848078-1
36.0 914.4	2-848078-0
48.0 1219.2	848078-2

Note: Standard length leads are tabulated here. Tyco Electronics can make available numerous variations in length and material to suit almost any application. Choices of insulation materials include TEFLON, UL listed silicone and UL listed PVC. Other materials, colors, wire and configurations can be used in manufacture. For more information, consult Tyco Electronics.

TEFLON is a trademark of E. I. DuPont de Nemours and Company.

LGH Lead Assemblies and Receptacles, 50 KVDC, LGH 4 (Continued)

Shielded Double End Lead Assemblies

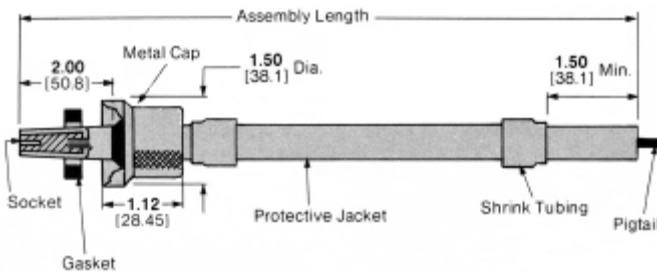


Assembly Length	Part Number
12.0	846950-6
304.8	846950-7
48.0	1-846950-0
1219.2	6-846950-0*

*RoHS compliant Part Number.

Part Number 846950

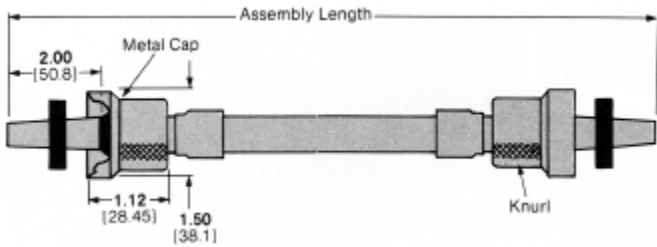
RFI Shielded Single End Lead Assemblies*



Assembly Length	Part Number
12.0	865089-4
304.8	865089-5
18.0	865089-5
457.2	865089-5
24.0	865089-6
609.6	865089-6
36.0	865089-7
914.4	865089-7
48.0	865089-8
1219.2	865089-8

Part Number 865089

RFI Shielded Double End Lead Assemblies*



Assembly Length	Part Number
12.0	865090-4
304.8	865090-4
18.0	865090-7
457.2	865090-7
24.0	865090-1
609.6	865090-1
36.0	865090-5
914.4	5-865090-5*

*RoHS compliant Part Number.

Part Number 865090

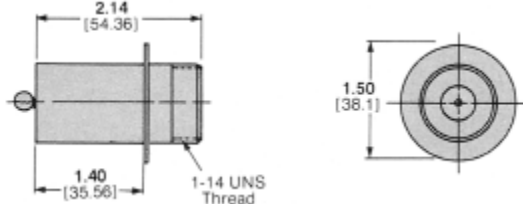
TEFLON is a trademark of E. I. DuPont de Nemours and Company.

Note: Standard length leads are tabulated here. Tyco Electronics can make available numerous variations in length and material to suit almost any application. Choices of insulation materials include TEFLON, UL listed silicone and UL listed PVC. Other materials, colors, wire and configurations can be used in manufacture. For more information, consult Tyco Electronics.

* These RFI Shielded Lead Assemblies mate with receptacle 861258-1.

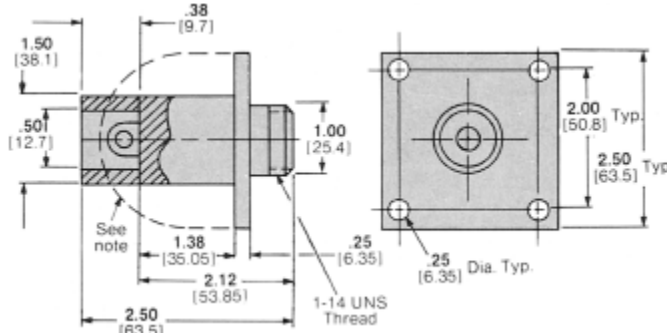
Glass-Epoxy Receptacles with 2.00 [50.8] Barrel Depth

Flanged, For Hermetic Seal
Part Number 861258-1
RoHS Part Number 5-861258-1
Weight — 48 grams



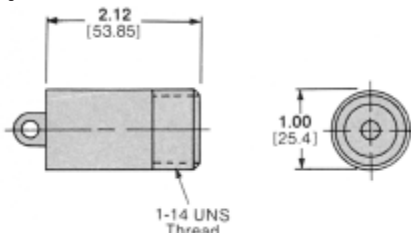
These receptacles are for use with RFI Shielded Leads shown on the preceding page.

Flanged, Bolt Mount
Part Number 850912-1
RoHS Part Number 5-850912-1
Weight — 100 grams

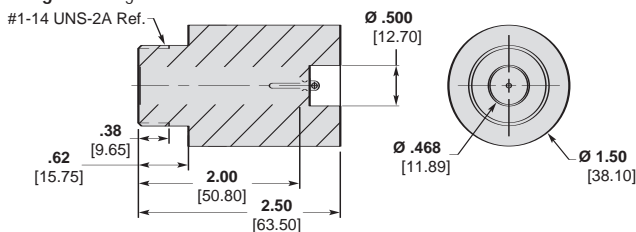


Note: If the panel or mounting hardware is at ground potential, guard against arc-over and breakdown within the area defined by this line.

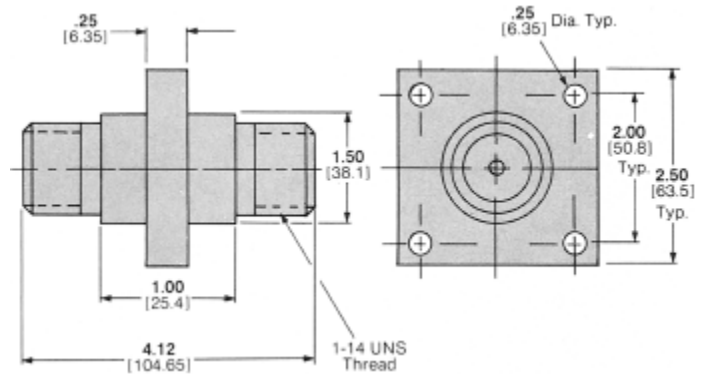
For Encapsulated Units
Part Number 836567-1
RoHS Part Number 5-836567-1
Weight — 42 grams



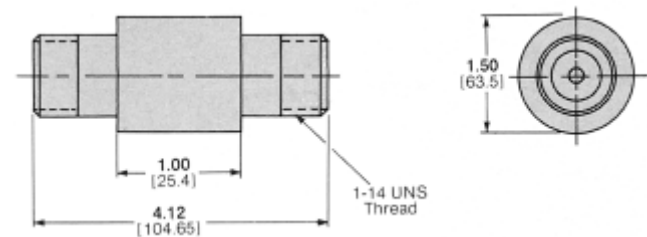
With Recessed Terminal
For Encapsulated Units
Part Number 849853-1
RoHS Part Number 5-849853-1
Weight — 55 grams



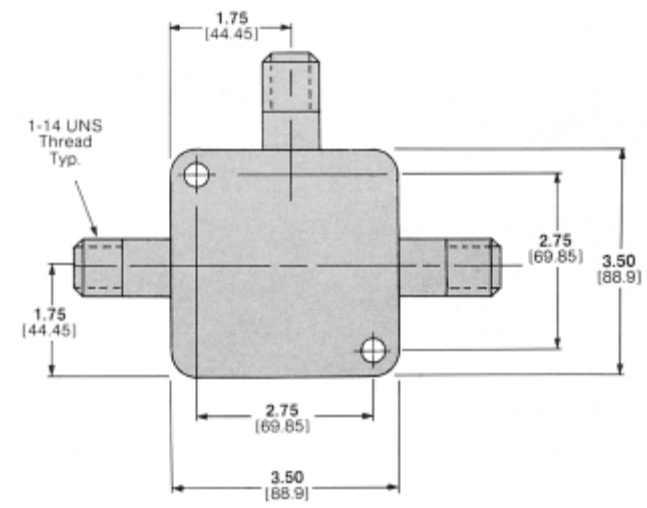
Bolt-Mount, Feed-Through
Part Number 840468-1
Weight — 137 grams



Splice
Part Number 840467-1
Weight — 105 grams



T-Shape Connector
Part Number 850554-1
RoHS Part Number 5-850554-1
Weight — 315 grams



Receptacles are available with gold plated contacts.